

Legend:

- 1: Production-switch (upper-side inside the storage bin)
- 2: Cover for service and cleaning
- 3: Compartment for ice removal
- 4: Front metal sheet
- 5: Cover (installation help)
- 6: Air outlet
- 7: Slide-in tray with drain coupling

Firm:

**WESSAMAT**

Eismaschinenfabrik GmbH

Naming:

W20 W  
Views

File name:

W20W-V5-Ans\_e

Scale:

1:10 (A4)

Drawn:

21.05.13-CS

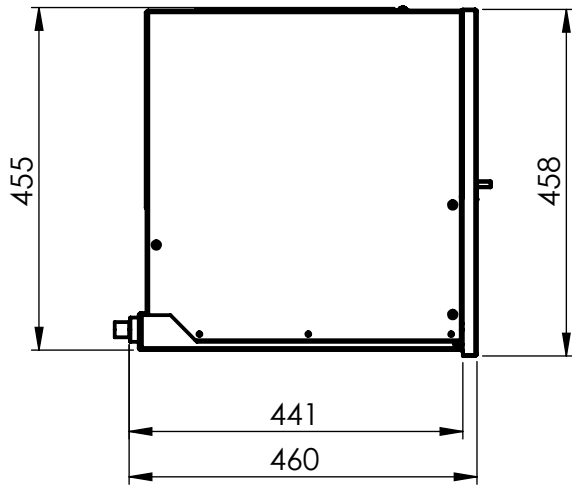
Page:

1 of 2

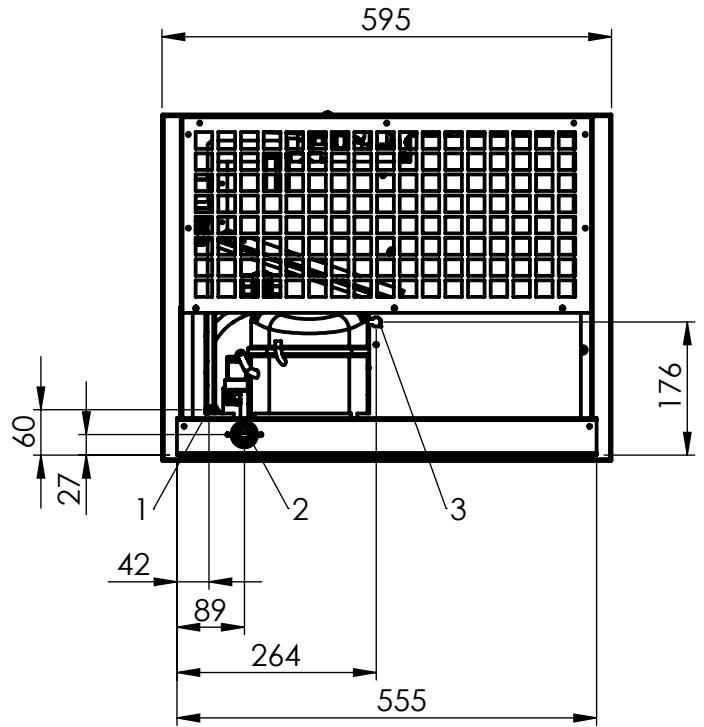
Changed:

-

Technical modifications as well as changes in version, dimensions and design are subject to change without notice by WESSAMAT.

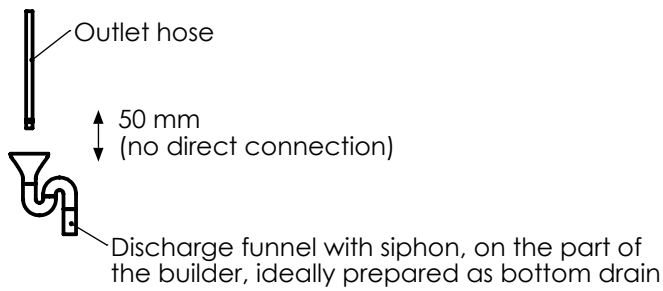


Side view left



Back view

Suggestion for installation of hygienic drainage:



Legend:

- 1: Fresh water inlet  $\phi = 3/4"$
- 2: Residual and cooling water outlet  $\phi = 20$  mm
- 3: Power supply cable 230 V, 50 Hz

Firm:

**WESSAMAT**  
Eismaschinenfabrik GmbH

Naming:

W20 W  
Dimensions

File name:

W20W-V5-Abmess\_e

Scale:

1:10 (A4)

Drawn:

21.05.13-CS

Page:

2 of 2

Changed:

-